

Cutting Unit Wear Part Kit 200

Tolerans is the world leader in in-line stitching. Renowned for high quality products and innovative solutions, we are dedicated to ensure you a worry-free stitching process. By using Tolerans Original Wear and Spare Parts you will gain an improved production safety and an optimum performance, ensuring a reliable stitching solution for many years to come.

Tolerans Wear Part Kits are available for our complete range of SPEEDLINER® stitchers, and are designed to be replaced at certain interval points. For SPEEDLINER® 2.0 stitchers, please see separate 2.0 Wear Part Kits.

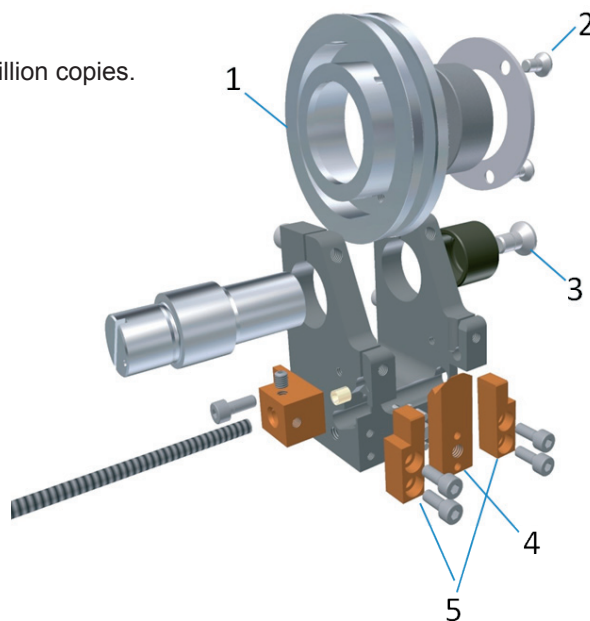
The Wear Part Kits enable quicker replacements with less downtime, and where applicable, all mechanical settings are pre-set when delivered. Instructions for assembly is found in original manual or maintenance instruction movies at www.tolerans.com.

CUTTING UNIT KIT 200

To be replaced every 200 million copies.

Consists of:

1. Former Wheel
2. Screw M5x10
3. Screw M8x16
4. Guide
5. Guides



DELIVERY TIME

Estimate 5-10 working days

TOLERANS ORIGINAL WEAR PART KITS

- Stitching Cylinder
- Cutting Unit
- Feedingbox
- Wire Infeeder
- DrumTop

FOR WEAR AND SPARE PART INQUIRIES

Please contact:
spares@tolerans.com
 or call: +46 8 586 116 10

When ordering Cutting Unit Kit 200, please view below list for correct part number. (For SPEEDLINER 2.0, view separate sheet.)

Stitching points	Staple size (mm)	Part no
2	12	01-001272
2	12	01-001534 *)
2	14	01-001343
2	16	01-001234
3	12	01-001273
3	14	01-001344
3	16	01-001235
4	12	01-001274
4	14	01-001345
4	16	01-001236

*) for certain customers only