

SPEEDLINER® 2.0 Stitching Cylinder Wear Part Kit 50

Tolerans is the world leader in in-line stitching. Renowned for high quality products and innovative solutions, we are dedicated to ensure you a worry-free stitching process. By using Tolerans Original Wear and Spare Parts you will gain an improved production safety and an optimum performance, ensuring a reliable stitching solution for many years to come.

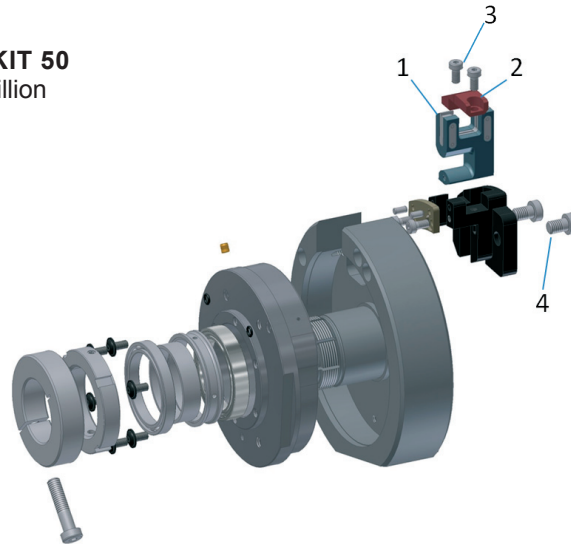
Tolerans Wear Part Kits are available for our complete range of SPEEDLINER® stitchers, and are designed to be replaced at certain interval points.

The Wear Part Kits enable quicker replacements with less downtime, and where applicable, all mechanical settings are pre-set when delivered. Instructions for assembly is found in original manual or maintenance instruction movies at www.tolerans.com.

STITCHING CYLINDER KIT 50

To be replaced every 50 million copies. Consists of:

1. Stitchfork
2. Wire rest
3. Screw M5x10
4. Screw M8x12



DELIVERY TIME
Estimate 5-10 working days

TOLERANS ORIGINAL WEAR PART KITS

- Stitching Cylinder
- Cutting Unit
- Feedingbox
- Wire infeeder
- DrumTop

FOR WEAR AND SPARE PART INQUIRIES

Please contact:
spares@tolerans.com
or call: +46 8 586 116 10

When ordering Stitching Cylinder Kit 50 for SPEEDLINER 2.0, please view below list for correct part number.

Stitching points	Staple size (mm)	Wire Ø (mm)	Part no
2	14	0.5	01-001758
2	16	0.6	01-001761
2	16	0.7	01-002036
3	14	0.5	01-001759
3	16	0.6	01-001762
4	14	0.5	01-001760
4	16	0.6	01-001763